

EST. *B* 1991

BRAMBLE

PRODUCT TEARSHEET



# Kipling Stool

---

Shown in: **SAS**

SKU: **23448**

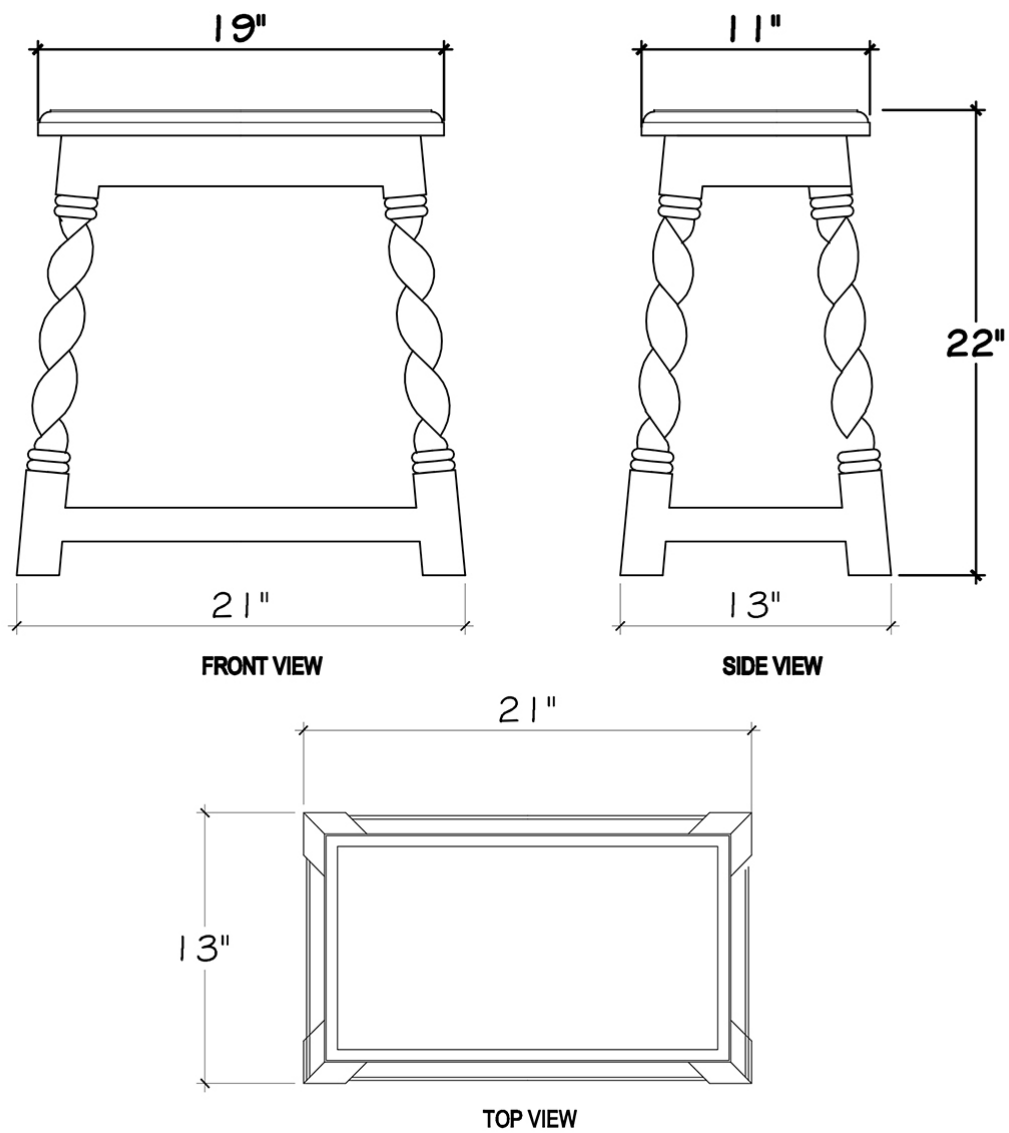
Size: **21W x 13D x 22H in**



## Overview

---

Enjoy the hand carved look of this Kipling Stool. Perfect for adding subtle rusticity to any living space, this lovely stool features four elegantly designed legs and a bottom foot rest. This piece is offered with a vast array of finish and distress options to create a truly custom design.



## **Visual Highlights**

---



## Technical Specification

---

Dimensions	<b>21W x 13D x 22H in</b>	CBM	<b>0.110098</b>
Number of Packages	<b>1</b>	Cubic Feet	<b>3.89 ft<sup>3</sup></b>
Package 1 Dimensions	<b>22.4 x 14.2 x 24.4 in</b>	Package 1 Weight	<b>17.64 lbs</b>
Package Weight Total	<b>17.64 lbs</b>	Net Weight	<b>12.13 lbs</b>
Material	<b>Mahogany</b>		

<https://brambleco.limecommerce.com/23448>

---