

EST. *B* 1991

BRAMBLE

PRODUCT TEARSHEET



# Veranda Counter Stool

---

Shown in: **CCA**

SKU: **25184**

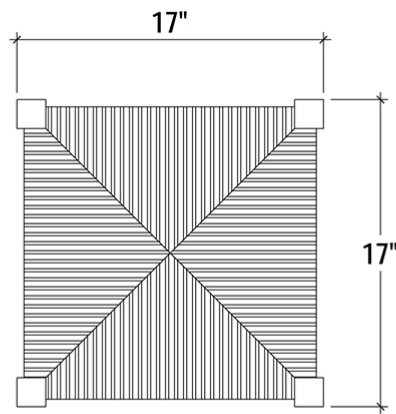
Size: **17W x 17D x 25H in**



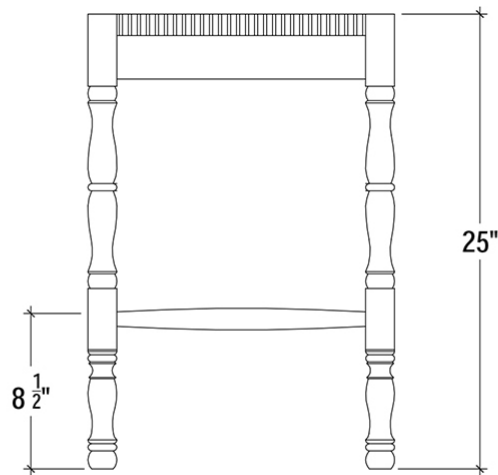
## Overview

---

Lighten the mood of a traditional design motif with the Veranda Counter Stool as a seating element in a casual kitchen space. Its solid wood build features delicate hand-carving and detailing, as well as a charming rattan-wrapped seat. This piece is offered with a vast array of finish and distress options to create a truly custom design.



TOP VIEW



FRONT / SIDE VIEW

## Visual Highlights

---



## Technical Specification

---

Dimensions	<b>17W x 17D x 25H in</b>	CBM	<b>0.135601</b>
Number of Packages	<b>1</b>	Cubic Feet	<b>4.79 ft<sup>3</sup></b>
Package 1 Dimensions	<b>20.1 x 20.1 x 30.3 in</b>	Package 1 Weight	<b>16.53 lbs</b>
Package Weight Total	<b>16.53 lbs</b>	Net Weight	<b>13.23 lbs</b>
Material	<b>Mahogany, Rush Seat</b>		

<https://brambleco.limecommerce.com/25184>

---