

EST. *B* 1991

BRAMBLE

PRODUCT TEARSHEET



# Tractor Barstool

---

Shown in: **BHD**

SKU: **25855**

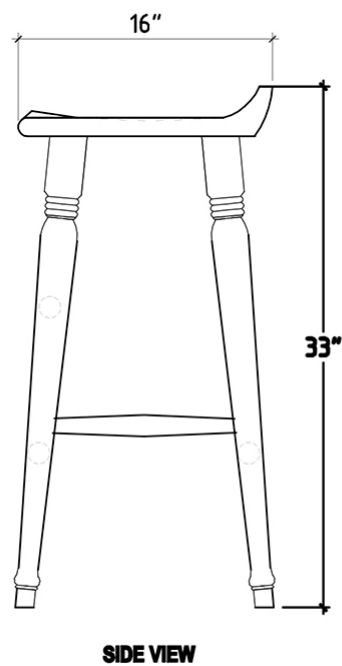
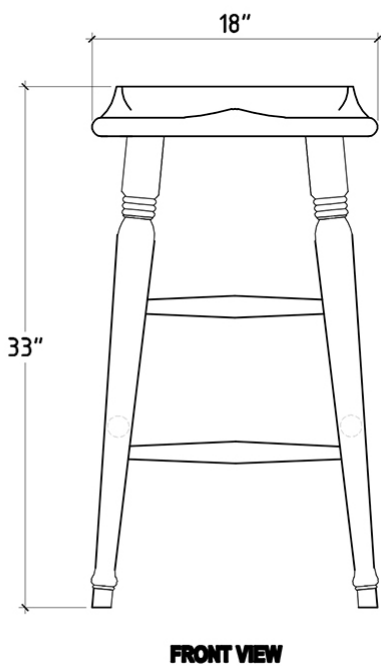
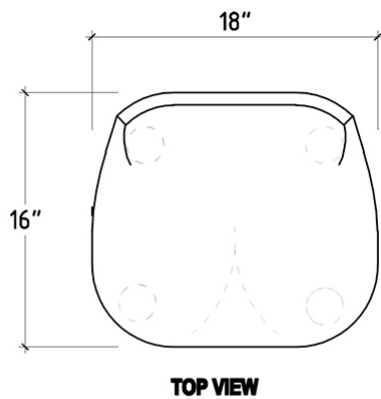
Size: **18W x 17D x 33H in**



## Overview

---

Reflecting a whimsical design, the Tractor Barstool delivers a fun and fashionable pairing for a casual kitchen counter or pub table. Crafted from solid mahogany, its seat mimics a tractor design and infuses a hint of farmhouse appeal. This piece is offered with a vast array of finish and distress options to create a truly custom design.



## **Visual Highlights**

---



## Technical Specification

---

Dimensions	<b>18W x 17D x 33H in</b>	CBM	<b>0.186689</b>
Number of Packages	<b>1</b>	Cubic Feet	<b>6.59 ft<sup>3</sup></b>
Package 1 Dimensions	<b>21.3 x 19.7 x 38.6 in</b>	Package 1 Weight	<b>28.66 lbs</b>
Package Weight Total	<b>28.66 lbs</b>	Net Weight	<b>22.05 lbs</b>
Material	<b>Mahogany</b>		

<https://brambleco.limecommerce.com/25855>

---