



BRAMBLE

PRODUCT TEARSHEET



Aviator Standing Lamp

Shown in: **VRU LSL126**

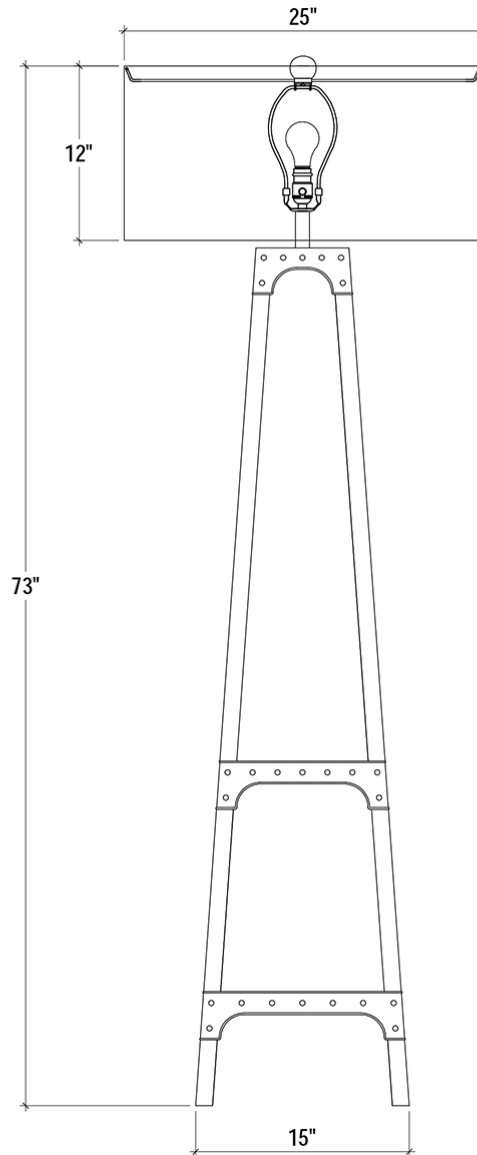
SKU: **26573**

Size: **25W x 25D x 73H in**

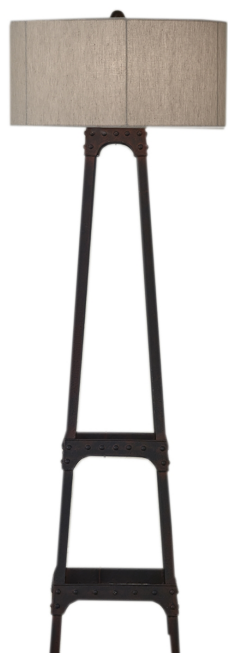


Overview

Angled legs and bolt-inspired details lend a rustic, industrial silhouette to the Aviator Standing Lamp. Offering illumination to an entire room, the Aviator features a fabric drum shade and mahogany construction. This piece is offered with a vast array of finish and distress options to create a truly custom design.



Visual Highlights



Technical Specification

Dimensions	25W x 25D x 73H in	CBM	0.5144
Number of Packages	2	Cubic Feet	18.17 ft³
Package 1 Dimensions	18.1 x 18.1 x 78.3 in	Package 1 Weight	30.51 lbs
Package 2 Dimensions	28.3 x 28.3 x 17.7 in	Package 2 Weight	16.89 lbs
		Net Weight	19.84 lbs
Package Weight Total	47.4 lbs		

Material	Steel, Linen
----------	---------------------

Bulb Type	E26
-----------	------------

Bulb Wattage	60W
--------------	------------

No of Lights	1
--------------	----------

Cable Length	127
--------------	------------

<https://brambleco.limecommerce.com/26573>
