

EST. *B* 1991

BRAMBLE

PRODUCT TEARSHEET



Sonoma Island w/ Rattan Baskets

Shown in: **STW**

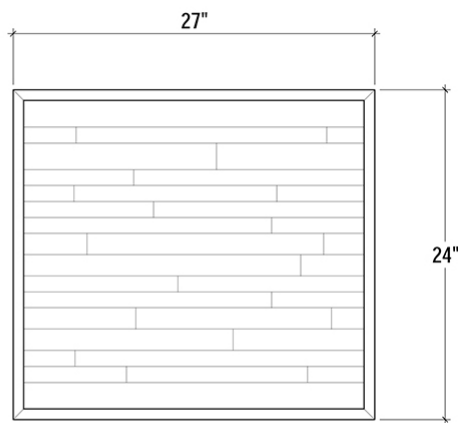
SKU: **26589**

Size: **34W x 24D x 36H in**

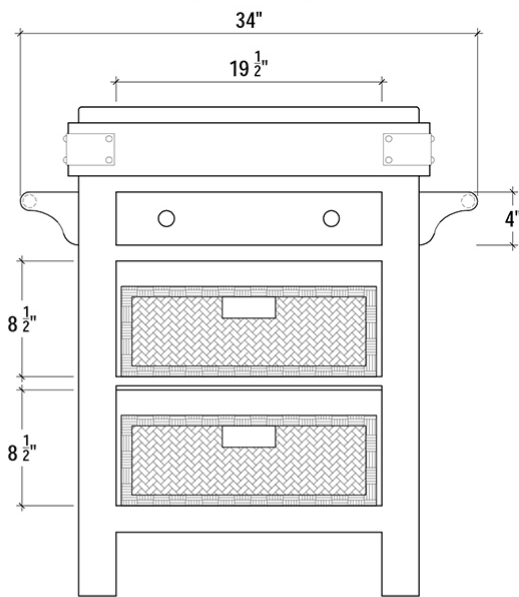


Overview

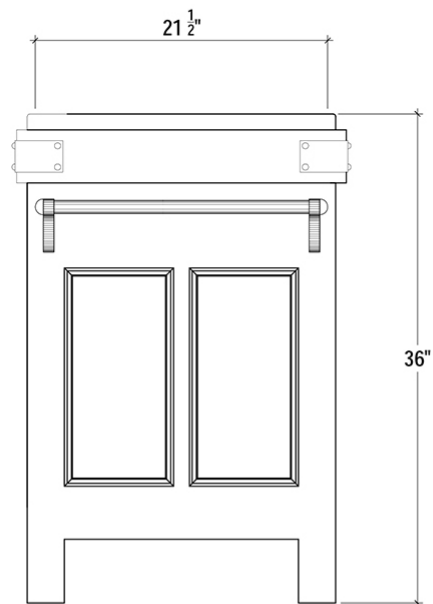
A butcher block top and a pair of rattan baskets add function and style to the Sonoma Island. Ideal for the kitchen, this island features mahogany craftsmanship, with side handles and one dovetail drawer. This piece is offered with a vast array of finish and distress options to create a truly custom design.



TOP VIEW



FRONT VIEW



SIDE VIEW

Visual Highlights



Technical Specification

Dimensions	34W x 24D x 36H in	CBM	0.533721
Number of Packages	1	Cubic Feet	18.85 ft³
Package 1 Dimensions	35.4 x 26 x 38.6 in	Package 1 Weight	97 lbs
Package Weight Total	97 lbs	Net Weight	93.7 lbs
Material	Mahogany, Mindi, Rattan Baskets		

<https://brambleco.limecommerce.com/26589>
