

EST. *B* 1991

BRAMBLE

PRODUCT TEARSHEET



English Candlestick Large

Shown in: **SKG**

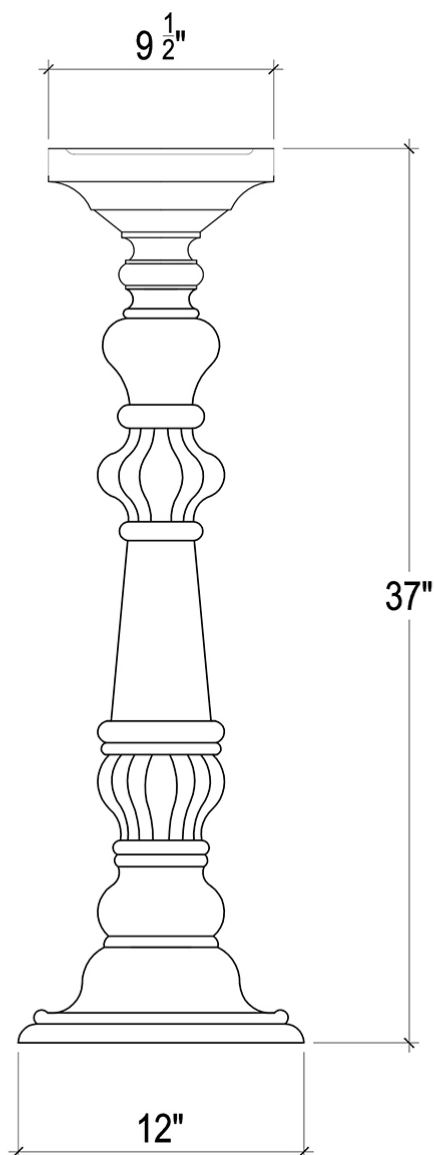
SKU: **26085**

Size: **12W x 12D x 37H in**



Overview

The Large English Candle Stick lends lovely elegance to a traditional mantel or console table. Fashioned from solid mahogany, its gorgeous turned profile brings an artistic touch. This piece is offered with a vast array of finish and distress options to create a truly custom design.



Visual Highlights



Technical Specification

Dimensions	12W x 12D x 37H in	CBM	0.101928
Number of Packages	1	Cubic Feet	3.6 ft³
Package 1 Dimensions	13.4 x 13.4 x 39.8 in	Package 1 Weight	19.84 lbs
Package Weight Total	19.84 lbs	Net Weight	15.43 lbs
Material	Mahogany		

<https://brambleco.limecommerce.com/26085>
