



BRAMBLE

PRODUCT TEARSHEET



Eton 3 Drawer End Table

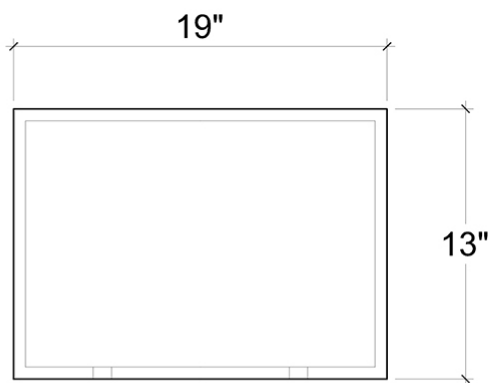
SKU: **23874BBA-----**

Size: **19W x 13D x 26H in**

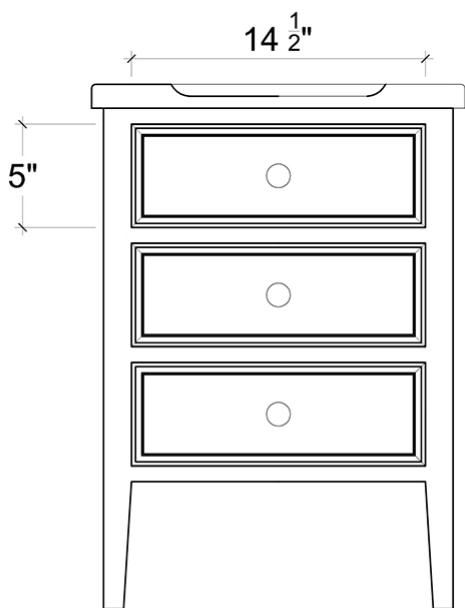


Overview

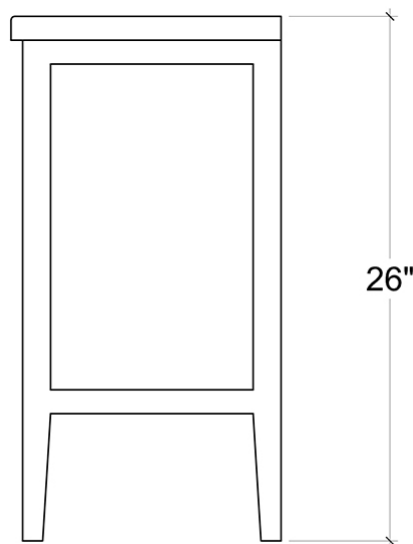
Complement a sofa or armchair with the spacious storage of the Eton 3-Drawer Chest. Perfect for any room, this chest features clean lines and simple style, with solid mahogany construction and dovetail drawers. This piece is offered with a vast array of finish and distress options to create a truly custom design.



TOP VIEW



FRONT VIEW



SIDE VIEW

Technical Specification

Dimensions	19W x 13D x 26H in	CBM	0.137751
Number of Packages	1	Cubic Feet	4.86 ft³
Package 1 Dimensions	21.7 x 16.1 x 31.5 in	Package 1 Weight	30.86 lbs
Package Weight Total	30.86 lbs	Net Weight	22.05 lbs
Warehouse Program	Yes		
Material	Mahogany		

<https://brambleco.limecommerce.com/23874bba>
