



BRAMBLE

PRODUCT TEARSHEET



Martinique Side Table

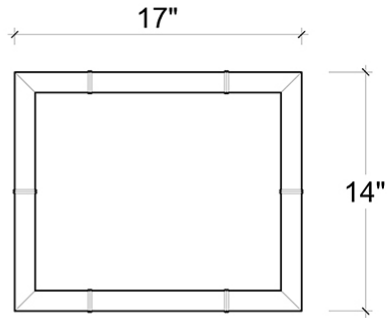
SKU: **FAC-27225WHD---A670-**

Size: **17W x 14D x 30H in**

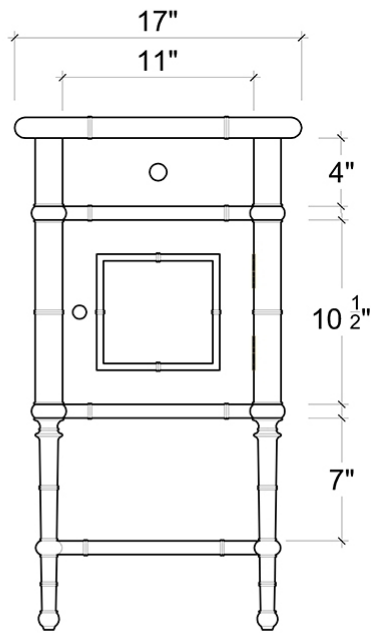


Overview

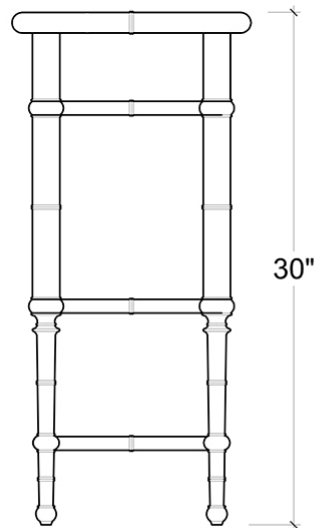
Martinique Side Table



TOP VIEW



FRONT VIEW



SIDE VIEW

Technical Specification

Dimensions	17W x 14D x 30H in	CBM	0.12933
Number of Packages	1	Cubic Feet	4.57 ft³
Package 1 Dimensions	19.7 x 16.9 x 35 in	Package 1 Weight	27.56 lbs
Package Weight Total	27.56 lbs	Net Weight	24.25 lbs
Material	Mahogany	Factory Ready Stock	

<https://brambleco.limecommerce.com/fac-27225whd-a670>
