



BRAMBLE

PRODUCT TEARSHEET



Monarch Counter Stool

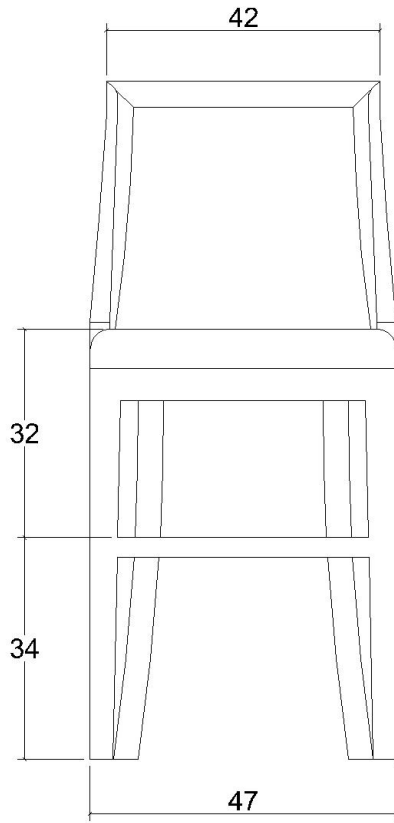
SKU: **FAC-27180FRWSF200----**

Size: **19W x 23D x 41H in**

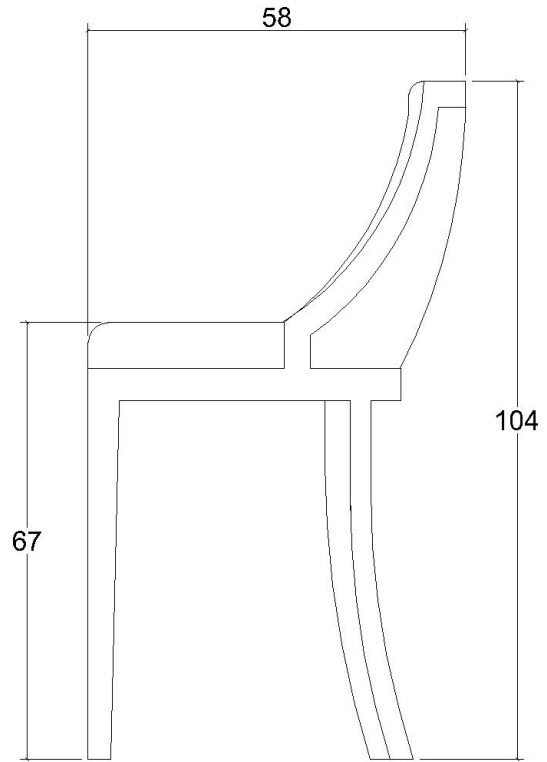


Overview

Monarch Counter Stool



FRONT VIEW



SIDE VIEW

Technical Specification

Dimensions	19W x 23D x 41H in	CBM	0.25515
Number of Packages	1	Cubic Feet	9.01 ft³
Package 1 Dimensions	20.1 x 24.4 x 43.7 in	Package 1 Weight	37.48 lbs
Package Weight Total	37.48 lbs	Net Weight	30.86 lbs
Material	Mahogany, Linen	Factory Ready Stock	

<https://brambleco.limecommerce.com/fac-27180frwsf200>
