



BRAMBLE

PRODUCT TEARSHEET



# Brittany Chandelier Medium

---

Shown in: **MID**

SKU: **27496**

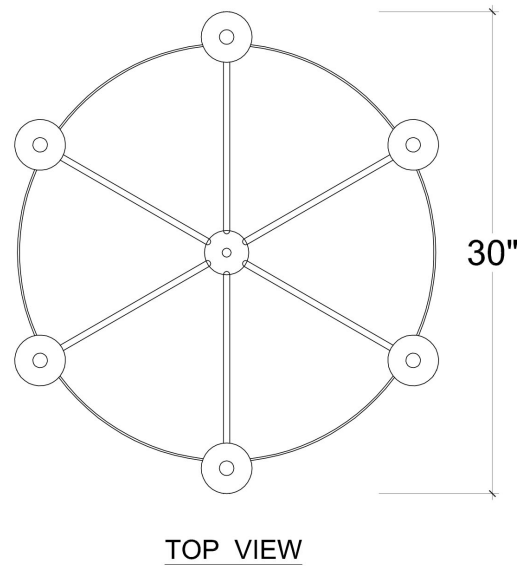
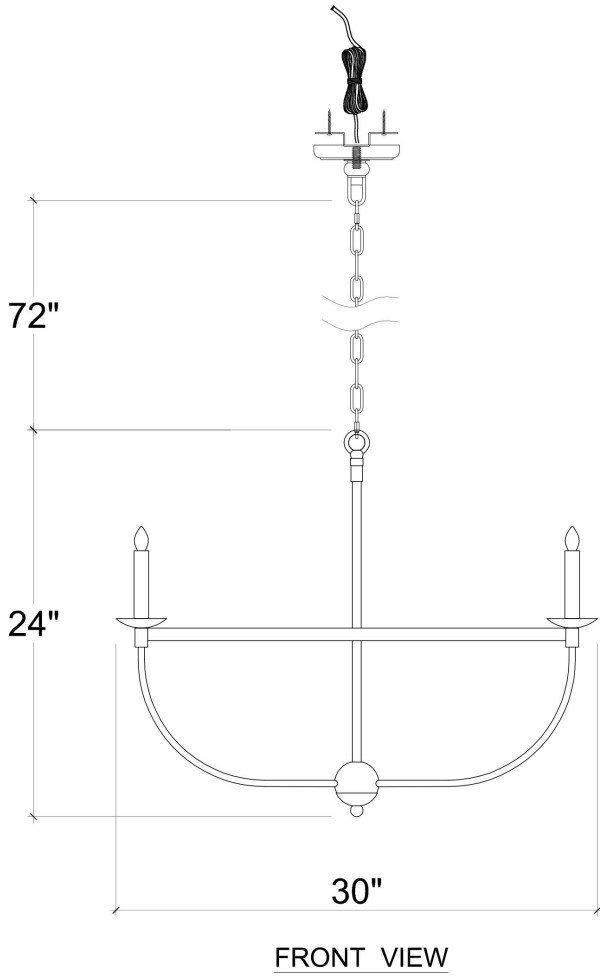
Size: **30W x 30D x 24H in**



# Overview

---

Brittany Chandelier Medium



## **Visual Highlights**

---

## Technical Specification

---

Dimensions	<b>30W x 30D x 24H in</b>	CBM	<b>0.547304</b>
Number of Packages	<b>1</b>	Cubic Feet	<b>19.33 ft<sup>3</sup></b>
Package 1 Dimensions	<b>31.5 x 31.5 x 26.8 in</b>	Package 1 Weight	<b>13.23 lbs</b>
Package Weight Total	<b>13.23 lbs</b>	Net Weight	<b>8.82 lbs</b>
Material	<b>Steel</b>		

<https://brambleco.limecommerce.com/27496>

---