



BRAMBLE

PRODUCT TEARSHEET



# Arcata Iron Candlestick

---

Shown in: **MID**

SKU: **27475**

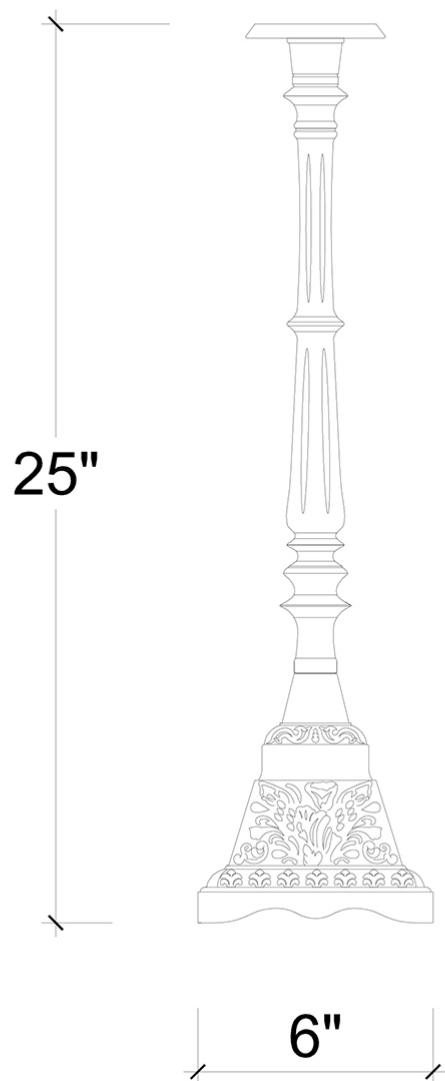
Size: **10W x 10D x 25H in**



## Overview

---

Arcata Iron Candlestick



## **Visual Highlights**

---



## Technical Specification

---

Dimensions	<b>10W x 10D x 25H in</b>	CBM	<b>0.053202</b>
Number of Packages	<b>1</b>	Cubic Feet	<b>1.88 ft<sup>3</sup></b>
Package 1 Dimensions	<b>11.8 x 11.8 x 27.6 in</b>	Package 1 Weight	<b>13.23 lbs</b>
Package Weight Total	<b>13.23 lbs</b>	Net Weight	<b>11.02 lbs</b>
Material	<b>Steel</b>		

<https://brambleco.limecommerce.com/27475>

---