

EST. *B* 1991

BRAMBLE

PRODUCT TEARSHEET



Brittany Chandelier Large

Shown in: **MID**

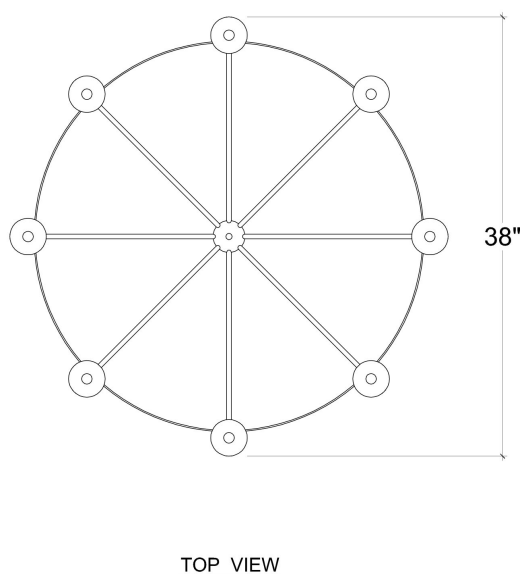
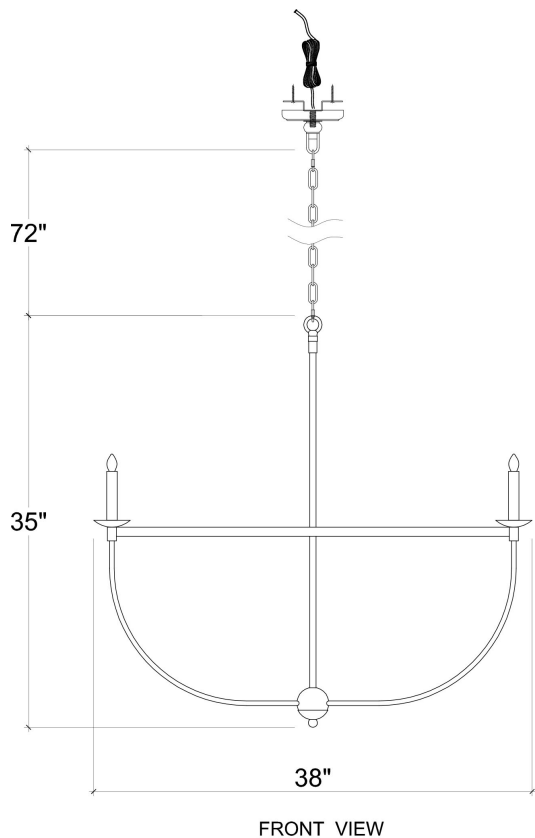
SKU: **27464**

Size: **38W x 38D x 35H in**



Overview

Brittany Chandelier Large



Visual Highlights



Technical Specification

Dimensions	38W x 38D x 35H in	CBM	0.775284
Number of Packages	1	Cubic Feet	27.38 ft³
Package 1 Dimensions	39.4 x 39.4 x 38.2 in	Package 1 Weight	15.43 lbs
Package Weight Total	15.43 lbs	Net Weight	11.02 lbs
Material	Steel		

<https://brambleco.limecommerce.com/27464>
