



BRAMBLE

PRODUCT TEARSHEET



Magnolia Beaded Chandelier

Shown in: **OCB**

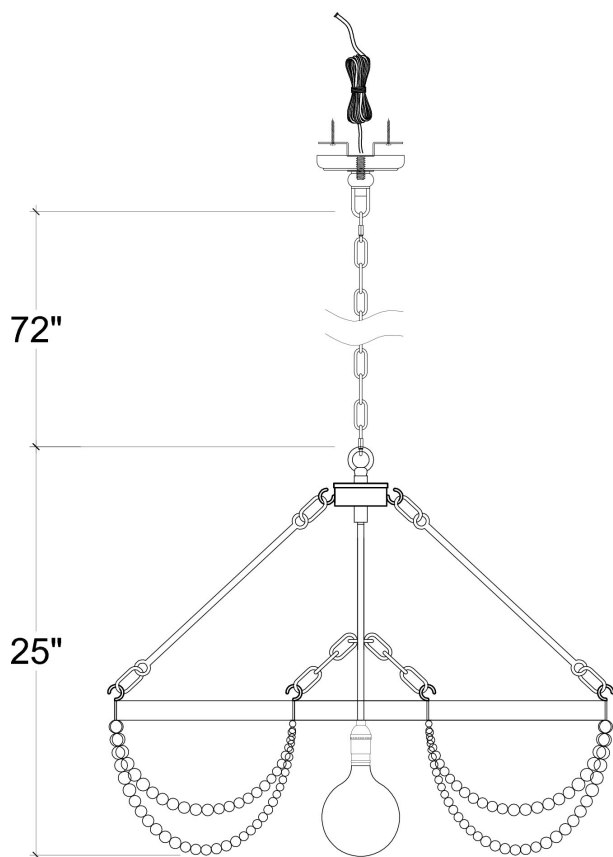
SKU: **27463**

Size: **30W x 30D x 27H in**

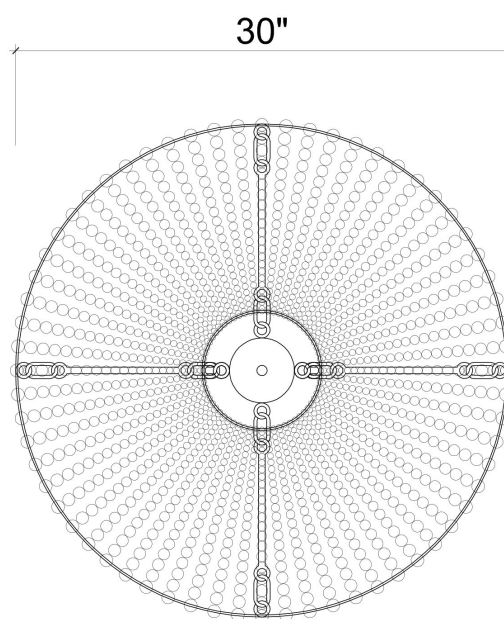


Overview

Magnolia Beaded Chandelier



FRONT VIEW



TOP VIEW

Visual Highlights

Technical Specification

Dimensions	30W x 30D x 27H in	CBM	0.2048
Number of Packages	1	Cubic Feet	7.23 ft³
Package 1 Dimensions	31.5 x 31.5 x 12.6 in	Package 1 Weight	17.64 lbs
Package Weight Total	17.64 lbs	Net Weight	13.23 lbs
Material	Beaded Wood, Steel		

<https://brambleco.limecommerce.com/27463>
