



BRAMBLE

PRODUCT TEARSHEET



Ellipse Chandelier

Shown in: **DRW**

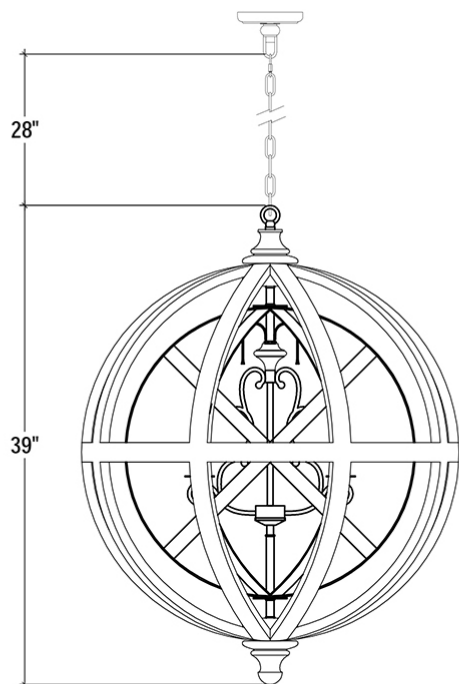
SKU: **95014**

Size: **31W x 31D x 39H in**

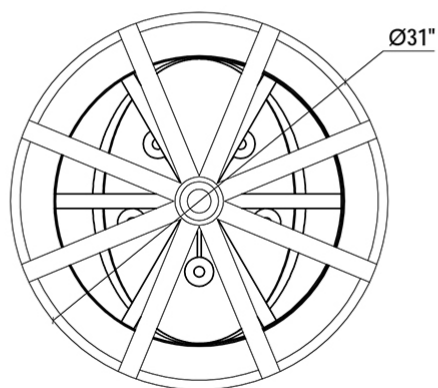


Overview

Ellipse Chandelier



FRONT VIEW



TOP VIEW

Visual Highlights



Technical Specification

Dimensions	31W x 31D x 39H in	CBM	0.867328
Number of Packages	1	Cubic Feet	30.63 ft³
Package 1 Dimensions	36.2 x 36.2 x 46.9 in	Package 1 Weight	33.07 lbs
Package Weight Total	33.07 lbs	Net Weight	28.59 lbs

Material	Mahogany
Bulb Type	E12
Bulb Wattage	40W
No of Lights	5
Rope Length	75

<https://brambleco.limecommerce.com/95014>
